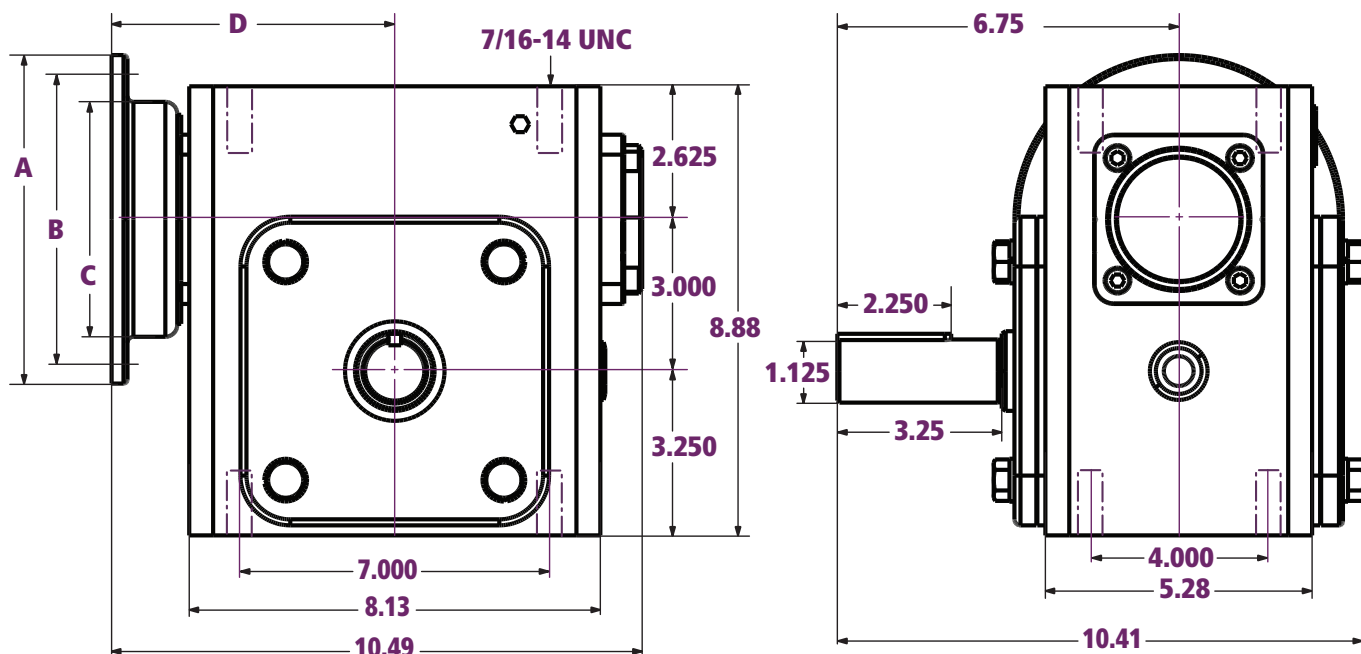




X300 Dimensions

All dimensions listed in inches



Motor Options & Dimensions (in)

NEMA Frame	Motor Shaft Dia. (in)	A	B	C	D
		OD Flange	Bolt Circle	Pilot Bore	Flange Depth
56C	0.625	6.50	5.88	4.5	5.60
140TC	0.875				
180TC	1.125	9.00	7.25	8.5	6.78

Ratios

Nominal Ratios	Exact Ratios
5:1	4.8:1
10:1	10.3:1
15:1	15.5:1
20:1	20.5:1
30:1	30.0:1
40:1	40.0:1
50:1	50.0:1
60:1	60.0:1

Efficiency

Nominal Ratios	Efficiency (%)
5:1	≈ 93
10:1	≈ 87
15:1	≈ 84
20:1	≈ 81
30:1	≈ 73
40:1	≈ 69
50:1	≈ 64
60:1	≈ 63

Specifications

Center Distance	Weight (lbs)	Est. Oil Fill Amount* (oz)
3.000	66.0 [67.1 [†]]	51.7

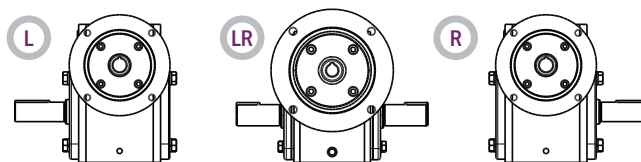
*For Position 1

[†]Approximate weight for LR Handing

Output Shaft

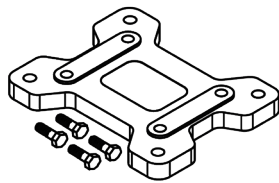
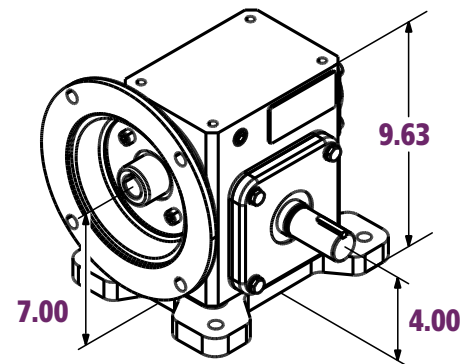
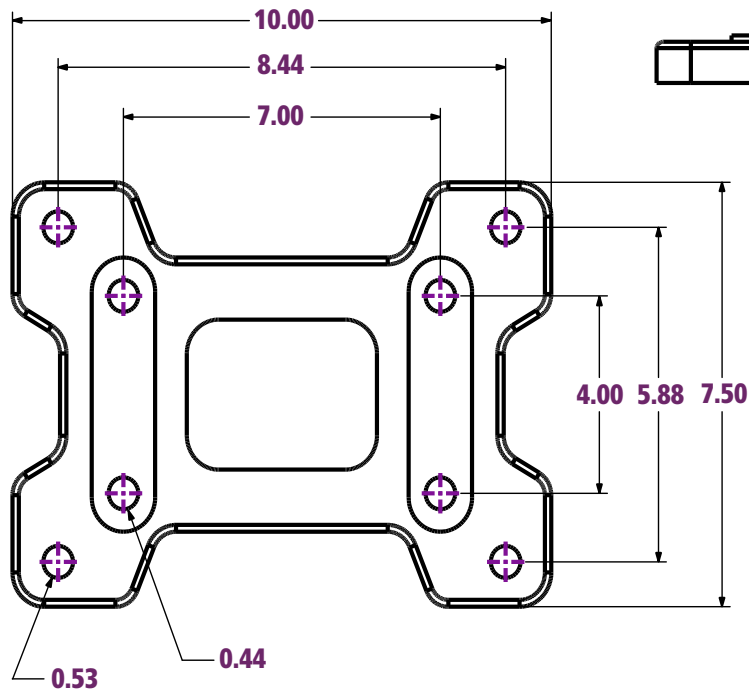
Output Shaft (in)	Output Keyway (in)
1.250	1/4 x 1/8

Handing Types



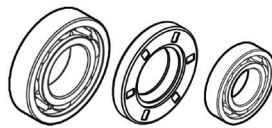
X300 Accessories

and X300 Base Kit Dimensions



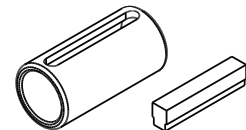
Foot Mounted Base Kit

XBK300



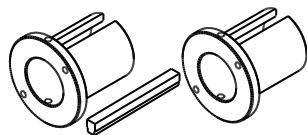
Component Repair Kit

XRK300



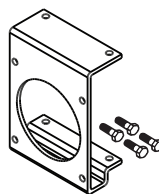
Input Quill Adapter Option

X143-56, X182-56, X182-43



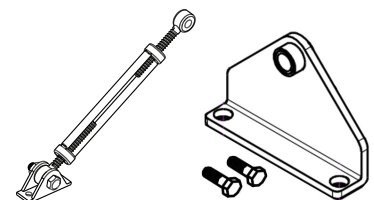
Output Bushing Kits*

Not Applicable



Output Bracket Kit*

XOB300



Torque Arm Kit*

XTA300

*Made to order.